



# WILTON MANORS, *Island City*

2020 WILTON DRIVE, WILTON MANORS, FLORIDA 33305

## COMMUNITY DEVELOPMENT SERVICES

(954) 390-2180 FAX: (954) 567-6069

**ELECTRICAL  
SERVICE CHANGE**

*Life's Just Better Here*

### **ELECTRICAL SERVICE CHANGE**

This checklist is designed to expedite permit application processing by ensuring that all required documentation is submitted with your application.

#### REQUIRED PERMIT APPLICATION(S)

- Electrical

#### MINIMUM PLAN SUBMITTAL

- Two (2) copies of service riser and load calculations.
- Two (2) copies of AIC letter from Florida Power & Light Company (Commercial only).
- Owner/Builder Affidavit, if constructed by homeowner. This must be signed in person at the Community Development Services Department.
- Two (2) copies of Homeowner Association Approval, if required.

#### INSPECTIONS

Inspections must be submitted online, faxed or dropped off prior to **4:30 PM** for the next business day.

#### REVIEW STOP(S)

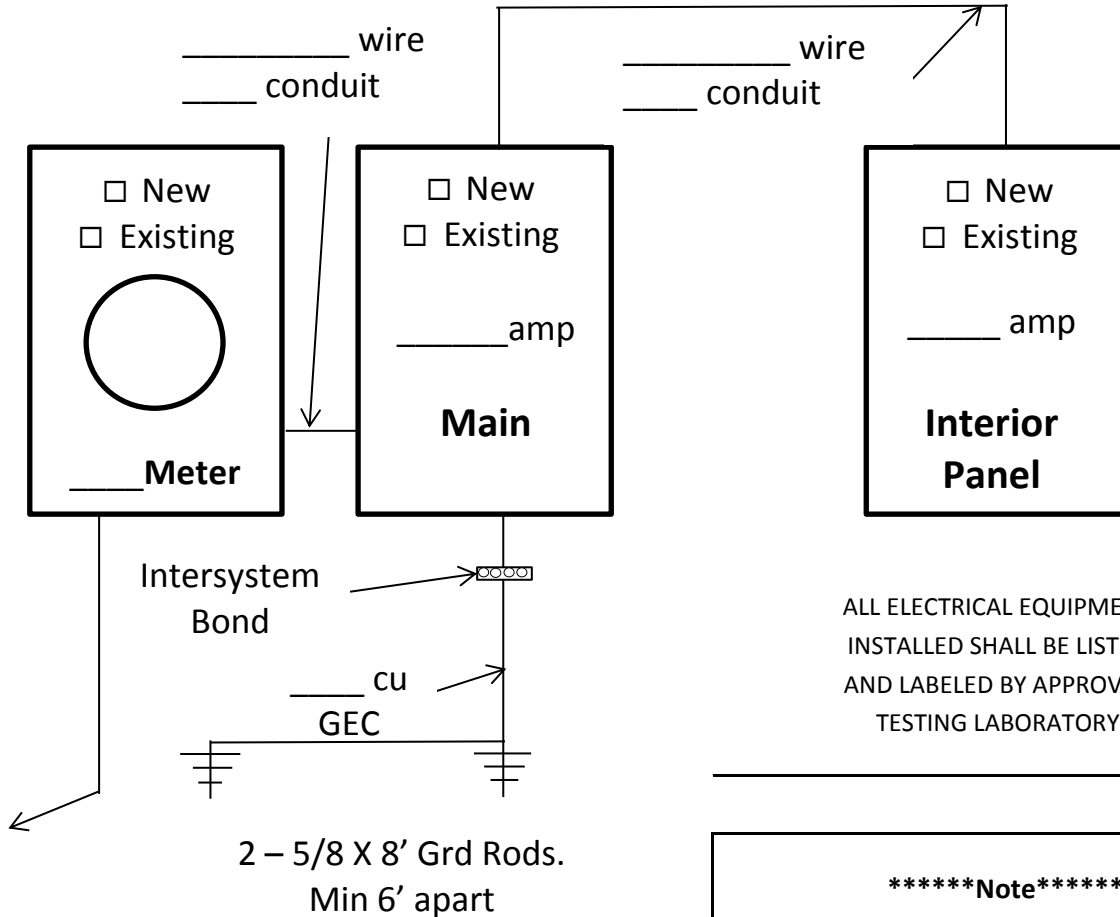
- Electrical

\*Please note that this checklist is not intended to be all-inclusive. Due to changes in codes, regulations, and ordinances, other requirements may apply.



*Life's Just Better Here*

## Electric Service / Panel Change



ALL ELECTRICAL EQUIPMENT  
INSTALLED SHALL BE LISTED  
AND LABELED BY APPROVED  
TESTING LABORATORY

**\*\*\*\*\*Note\*\*\*\*\***

Please check appropriate boxes and fill in all  
required information.

CITY OF WILTON MANORS

APPROVED BY \_\_\_\_\_  
ELECTRICAL PLAN REVIEWER

APPROVED BY LICENSED ELECTRICAL  
CONTRACTOR: \_\_\_\_\_  
OR  
APPROVED BY HOME OWNER:

NOTARY SEAL:  
DATE: \_\_\_\_\_